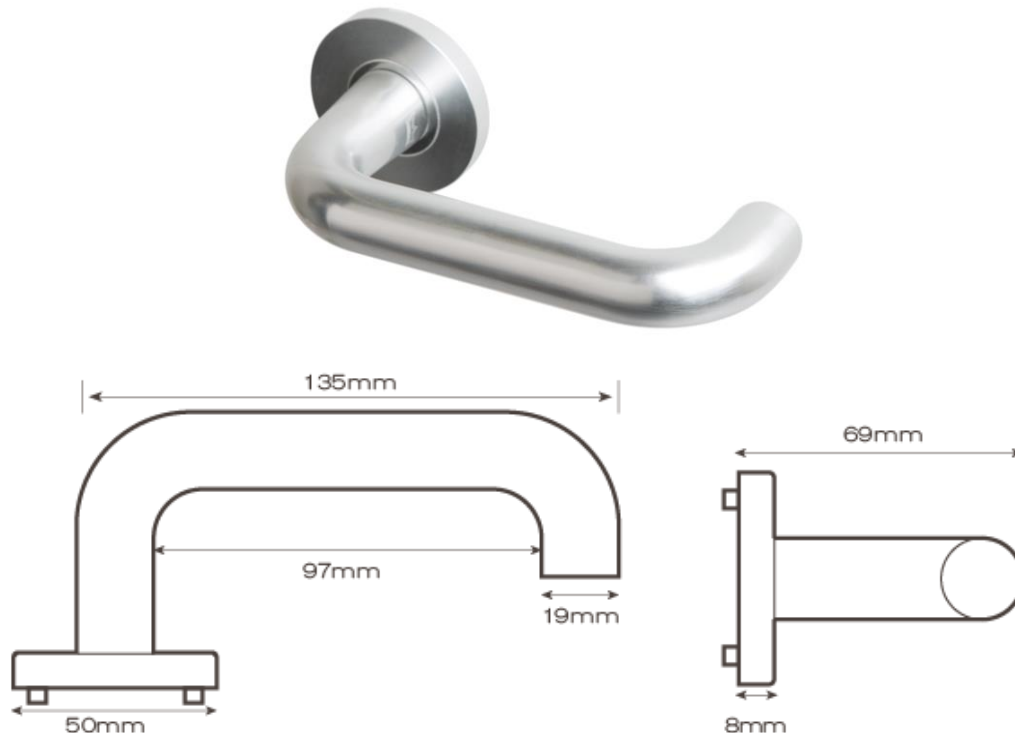


## 12191 Lever-Handle

Not to scale



### Overview

- 19mm safety lever handle on 50x8mm rose
- Manufactured from solid aluminium
- Through fixed roses with lug supports
- Spindle fast fixing system prevents the lever from pulling off the door
- Concealed fixings to prevent illegal tampering
- Lever fixed to metal inner rose
- Dimensions comply with the requirements of BS8300 and Approved Document M

### Finishes

- PSAA Polished Satin Anodised Aluminium

### Standards

CE Marked and fully tested to EN 1906  
Classification number 37-1140B  
Durability - highest grade of 3

### Operation

Function tested to 200,000 cycles

### Performance

Tested to meet the requirements of PAS24 as part of a compliant door set

### Maintenance

- To be carried out by approved specialist only
- No abrasives or chemicals to be used.
- Wipe with soft, damp cloth or, when necessary, warm soap water and a soft cloth.
- Every 3 months, check that lever handle grub screw is flush with the surface on the handle. If it is projecting, retighten it.
- If the rose is loose, remove the rose cover and tighten the through fixing bolts.
- If for any reason, the product fails due to a defect in manufacture, contact us and we will advise on the replacement procedure.

### Warranty

Supported by a 10 year warranty

### Packaging

Individually boxed with screws, spindle and care instructions. Multiple handles in an outer box (varies per order).

### Please note:

Aspex reserves the right to change specification without notice.